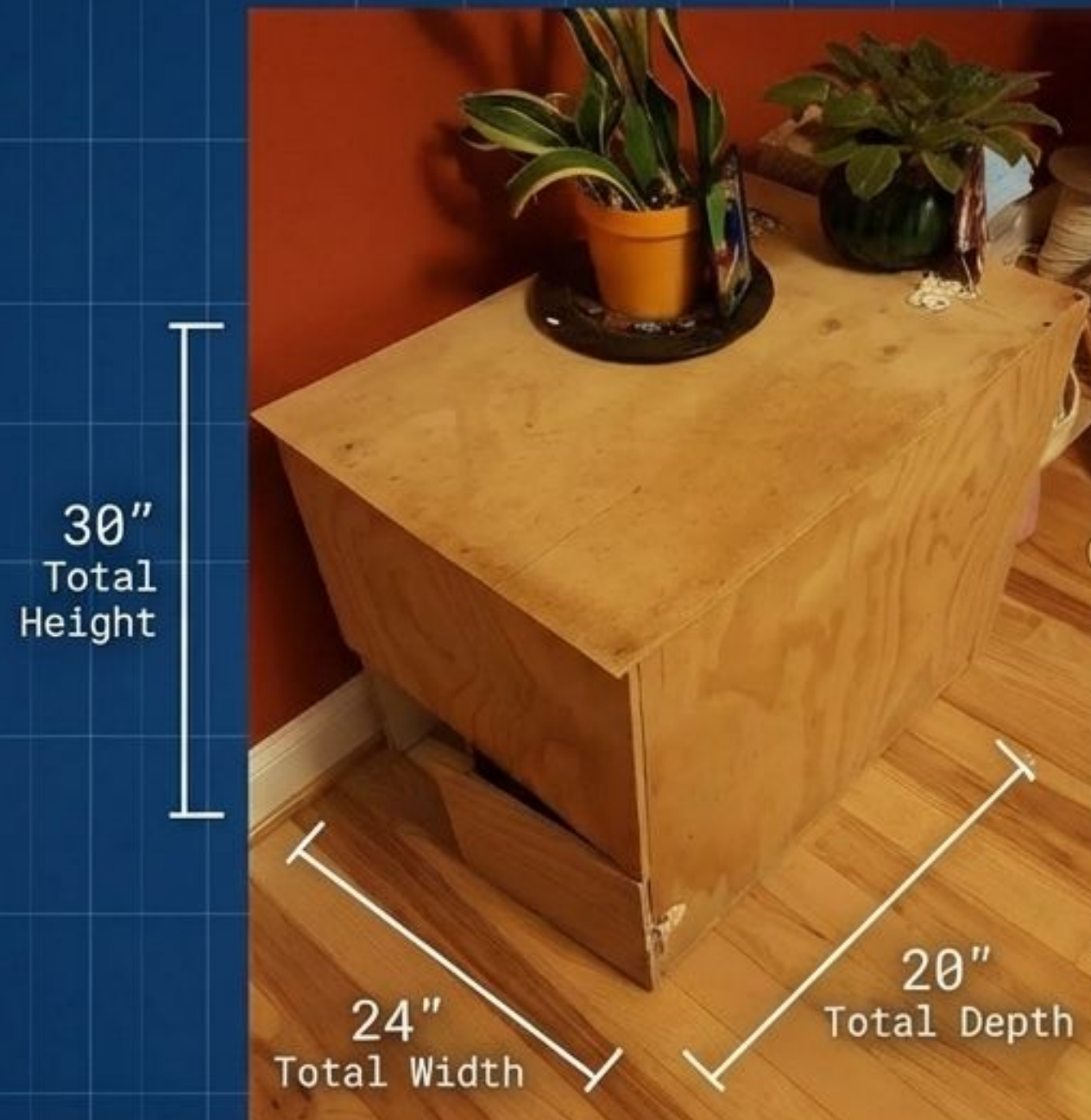


External Architecture and Footprint



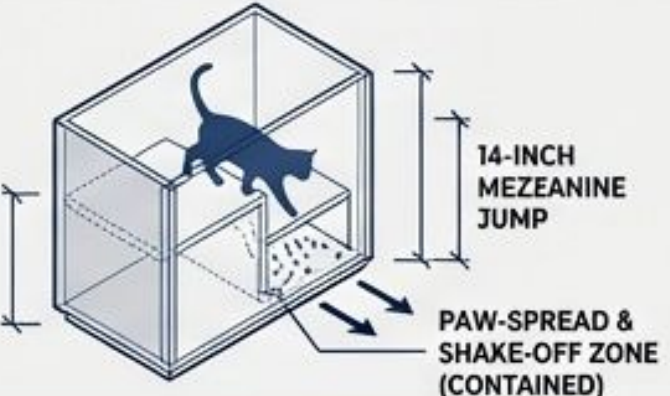

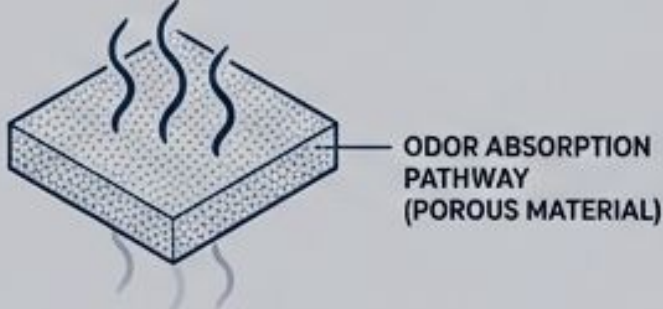


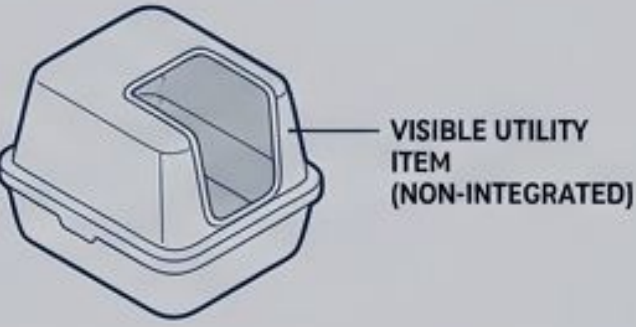
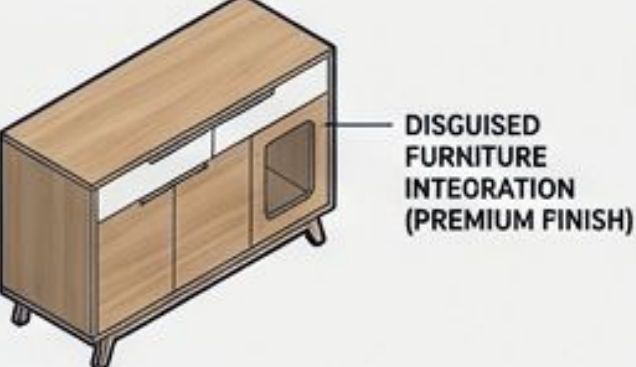


Material Note:

Crafted from a single 4' x 8' sheet of 3/4" Birch or Sandeply Plywood.

Note: MAKE SURE YOU KNOW THE SIZE OF YOUR LITTER BOX FIRST, THEN BUILD YOUR BOX AROUND THAT

ELIMINATING THE FLAWS OF STANDARD LITTER SYSTEMS

| DESIGN CRITERIA | STANDARD COVERED BOX | ENCLOSURE 2.0 |
|--|---|--|
| <p>TRACKING CONTROL</p>  | <p>Uses a floor-level exit. Litter scatters everywhere.</p>  | <p>Utilizes a 14-inch mezzanine jump. Forces paw-spreading and shake-off.</p>  |
| <p>HYGIENE & ODOR</p>  | <p>Relies on porous plastic that absorbs odors over time.</p>  | <p>Features a Liquid Nails + White Skin + Silicone tank. 100% waterproof, protects wood from rot.</p>  |
| <p>AESTHETICS</p>  | <p>A highly visible utility object.</p>  | <p>Acts as disguised furniture.</p>  |

MODERN ARCHITECTS WORKSHOP

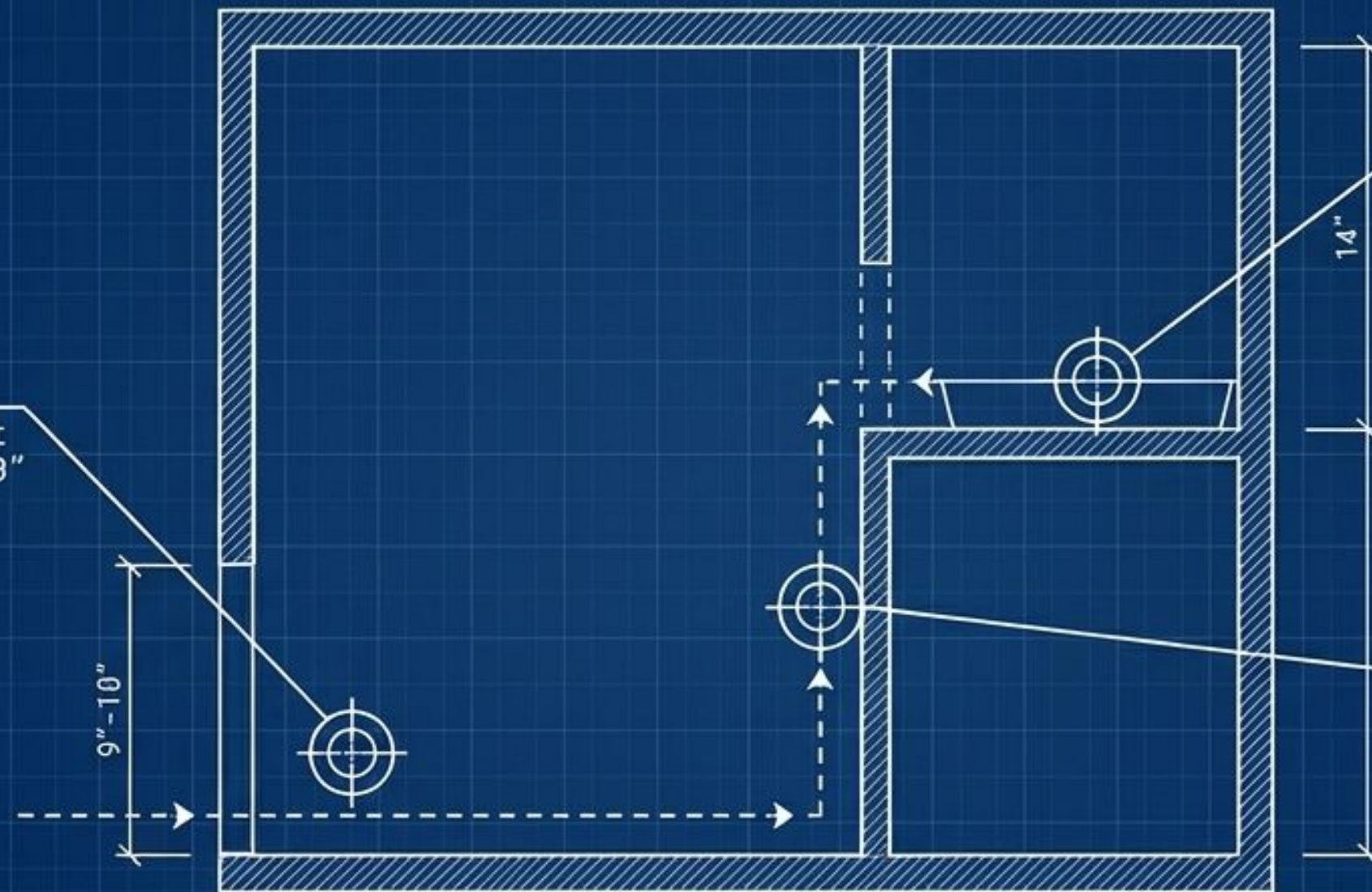
OBANIRO
MAW-SYSTEM-001

505x8
NTS

THE INTERNAL VAULT JOURNEY

THE ENTRY

Cat enters the lower-left passage through a 9" - 10" opening.



TRACKING CONTROL

Litter stays in the primary pan on the upper shelf. The jump down creates a shake-off zone, forcing loose litter into the lower passage for easy vacuuming.

THE TRANSITION

A forced 14" vertical jump from the bottom floor to the mezzanine shelf.

NOTE: My design had a long narrow passageway down left side, with litter box taking up the "second floor" this drawing is misleading as to that direction.

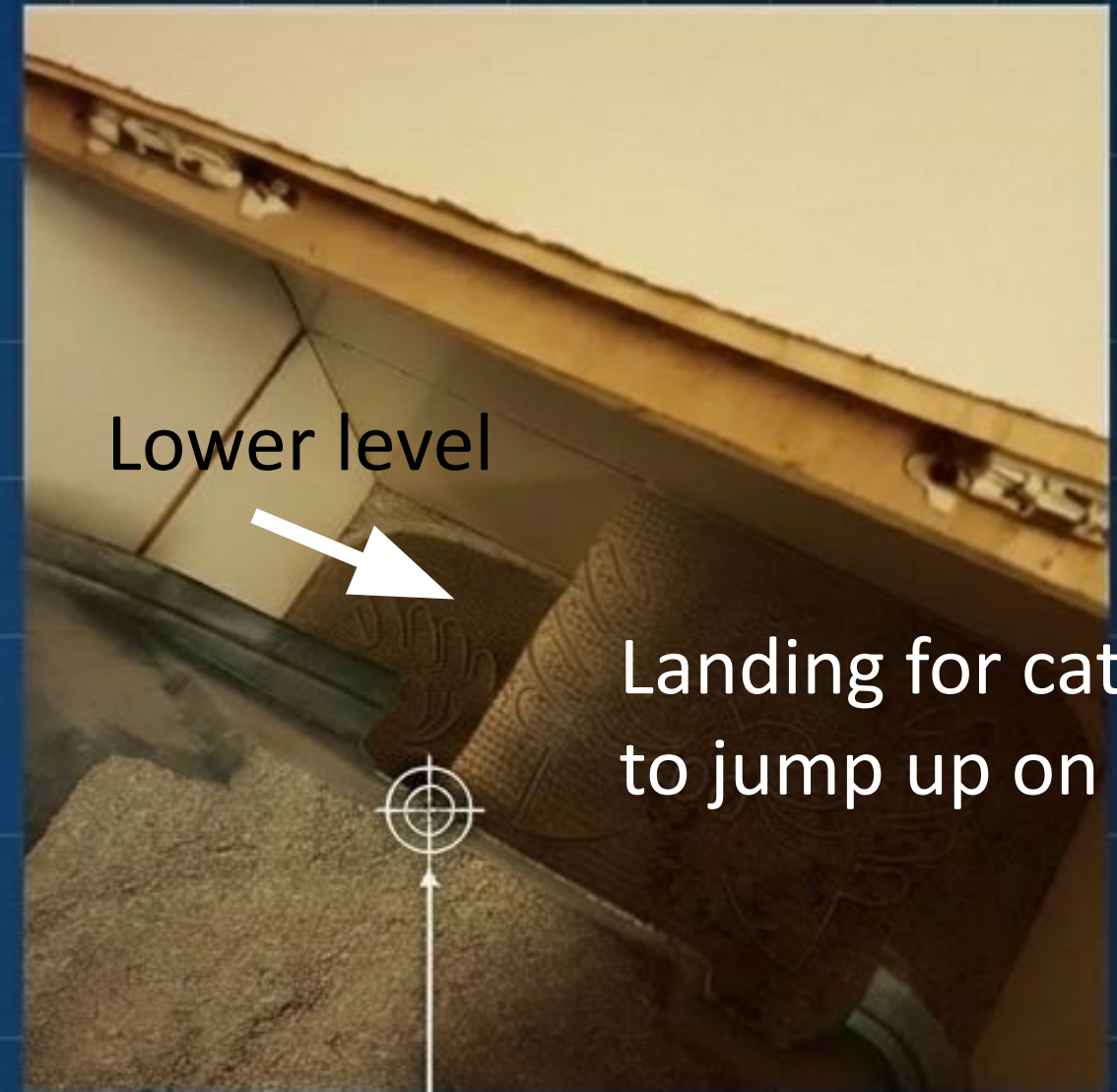
The Upper Chamber and Shake-Off Zone

High-visibility white melamine hardboard lines the entire interior chamber.



24" Piano Hinge connects the heavy plywood lid securely to the back wall.

Lower level



Landing for cat to jump up on

The shelf edge where the cat steps down. Litter falls directly into the vacuum chamber below.

The Vacuum Chamber and Entry Passage

1. Entry Point.

The main floor passage where the cat enters and exits.



3. Utility Storage.

The dead space under the mezzanine doubles as hidden storage for the scoop and waste bags.

2. Structural Divider.

Supports the 12" x 18.5" mezzanine shelf above.

MODERN ARCHITECTS WORKSHOP

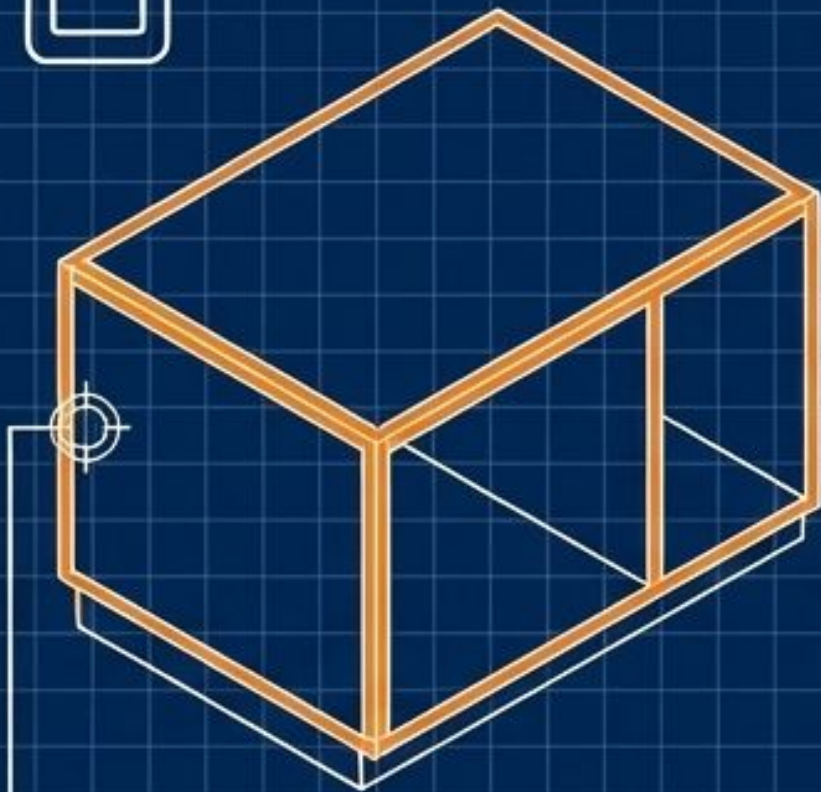
PROJECT CODE
MAW-SYSTEM-001

NTS

Adhesive Architecture: Three Distinct Compounds



Wood Glue

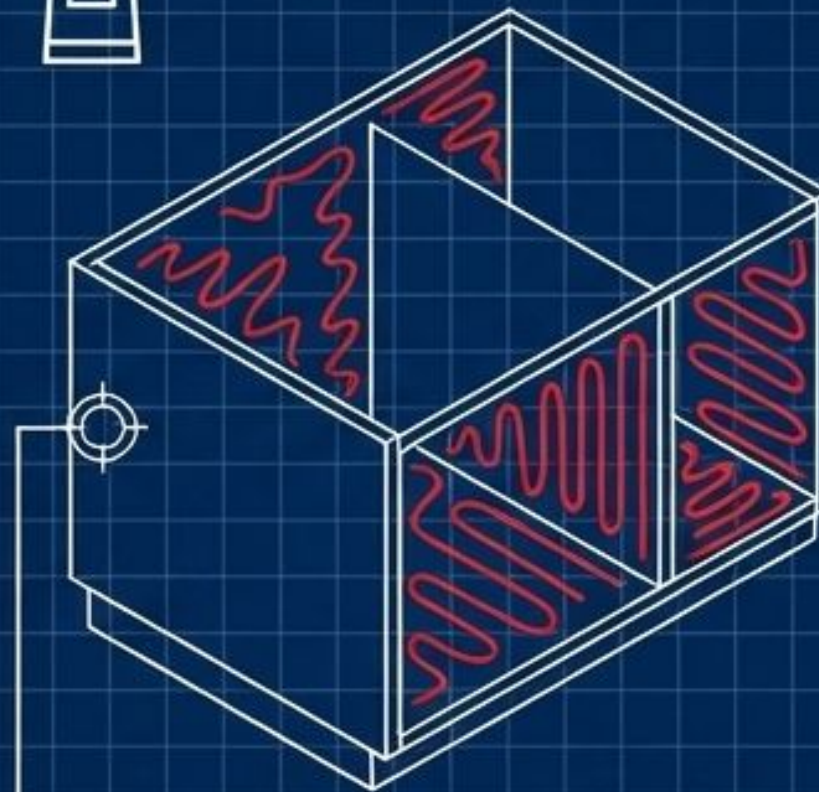


Role: Structural integrity.

Application: Edges of the plywood carcass prior to nailing.



Liquid Nails

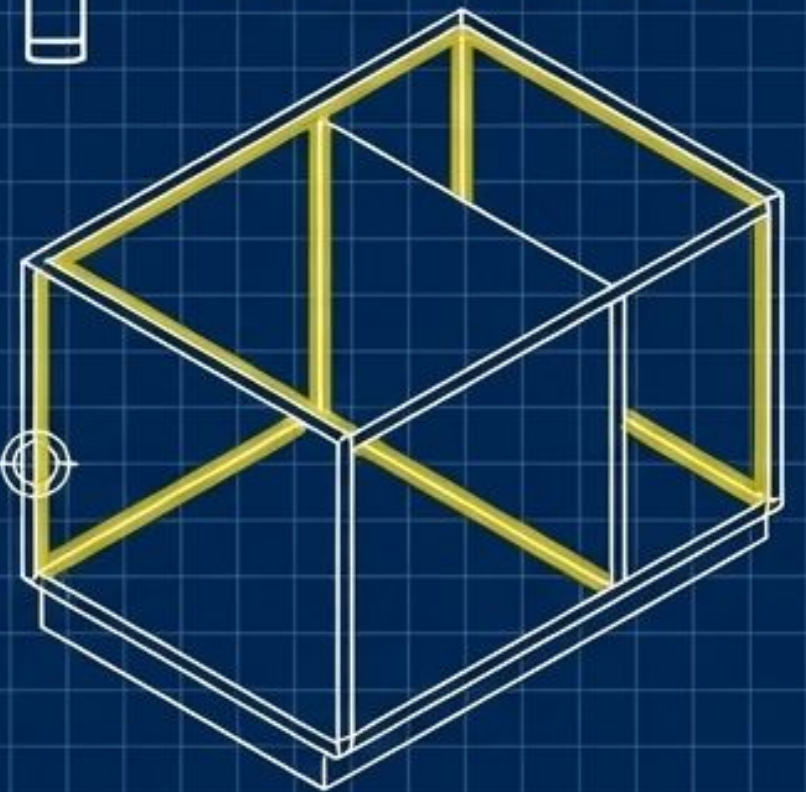


Role: Interior Skinning.

Application: Squiggled heavily behind the white melamine panels to bond them to the wood.



100% Kitchen & Bath Silicone



Role: The Bio-Seal.

Application: A continuous bead run along every 90-degree internal corner.

MODERN ARCHITECTS WORKSHOP

PROJECT CODE
MAW-SYSTEM-001

NTS

Master Plywood Cut List

[Front & Back (2):
24" x 30"]

[Shelf (1):
12" x 18.5"]

[Front & Back (2):
24" x 30"]

[Lid (1):
24.5" x 20.5"]

[Front & Back (2):
24" x 30"]

[Divider (1):
14" x 18.5"]

[Sides (2):
18.5" x 30"]

[Bottom (1):
22.5" x 18.5"]

Note: MAKE SURE YOU KNOW THE SIZE OF YOUR LITTER BOX FIRST, THEN BUILD YOUR BOX AROUND THAT

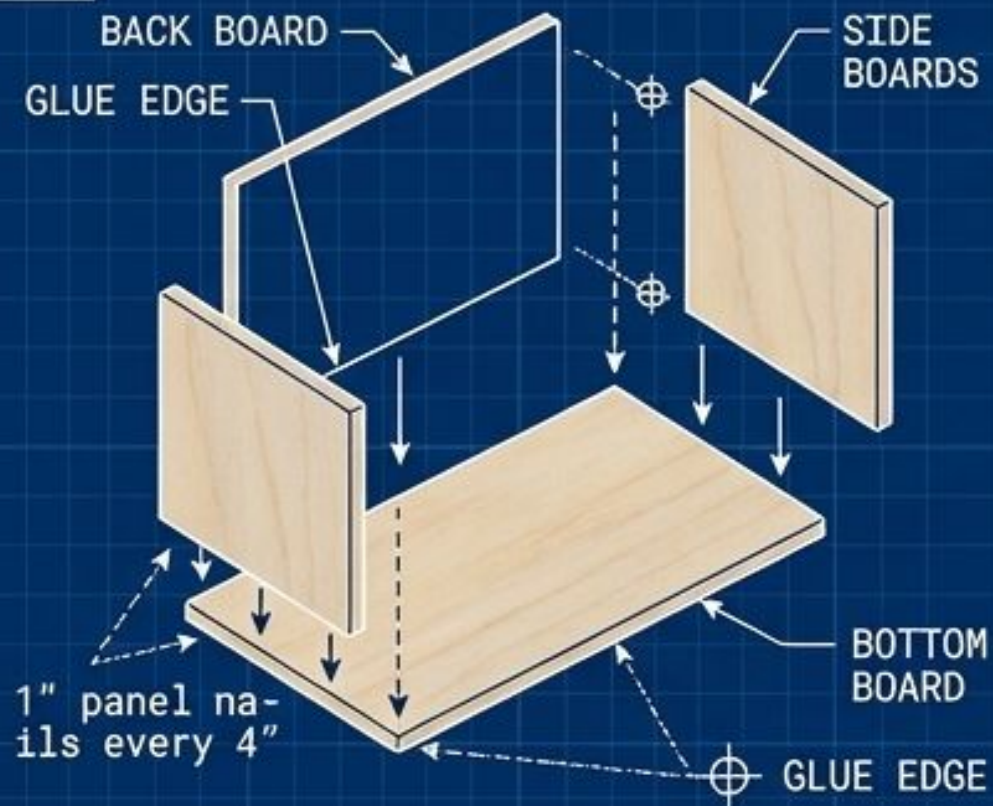
MODERN ARCHITECTS WORKSHOP

PROJECT CODE
MAW-SYSTEM-081

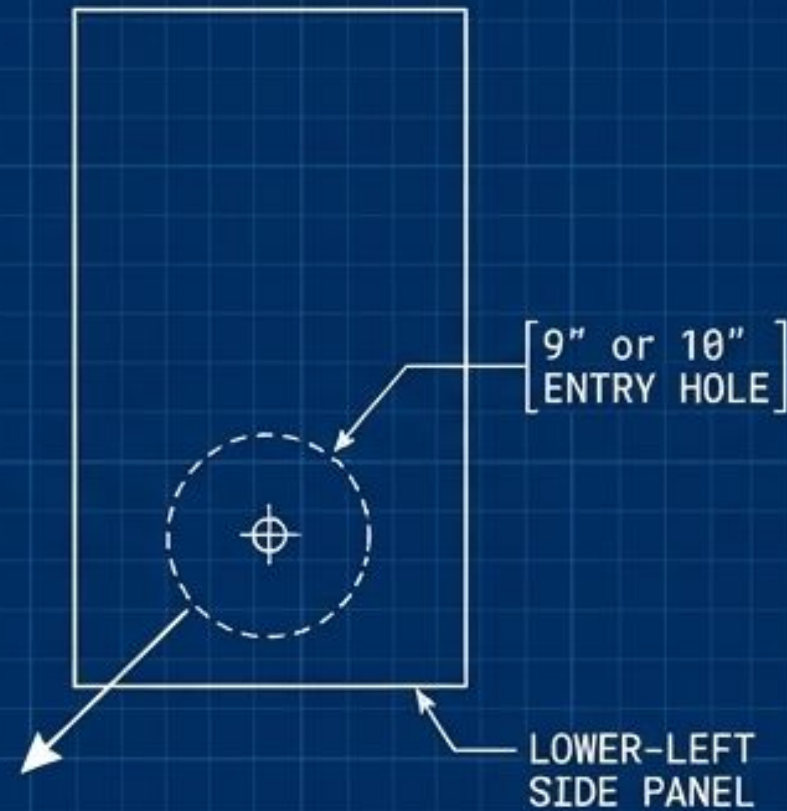
NTS

Phase 1: Assembling the Plywood Carcass

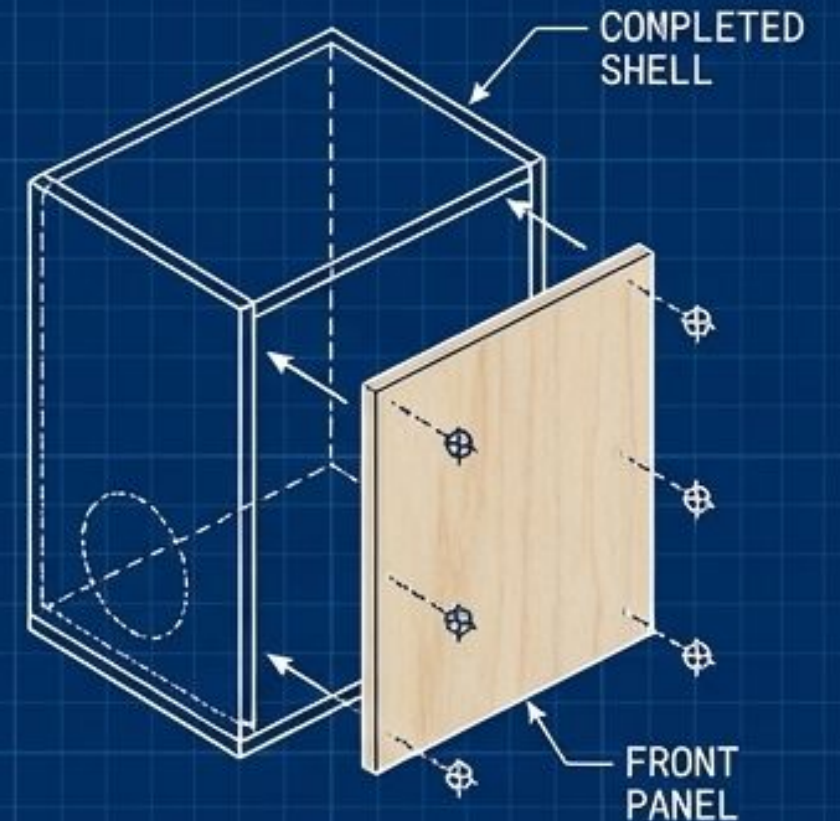
1.



2.



3.



1. The Lower Box

Apply wood glue to the Bottom board edges. Secure the Sides and Back using 1" panel nails every 4 inches.

2. The Entryway

Cut a 9" or 10" circular entry hole in the lower-left side panel.

3. Closing the Vault

Glue and nail the Front panel to the completed shell to enclose the primary volume.

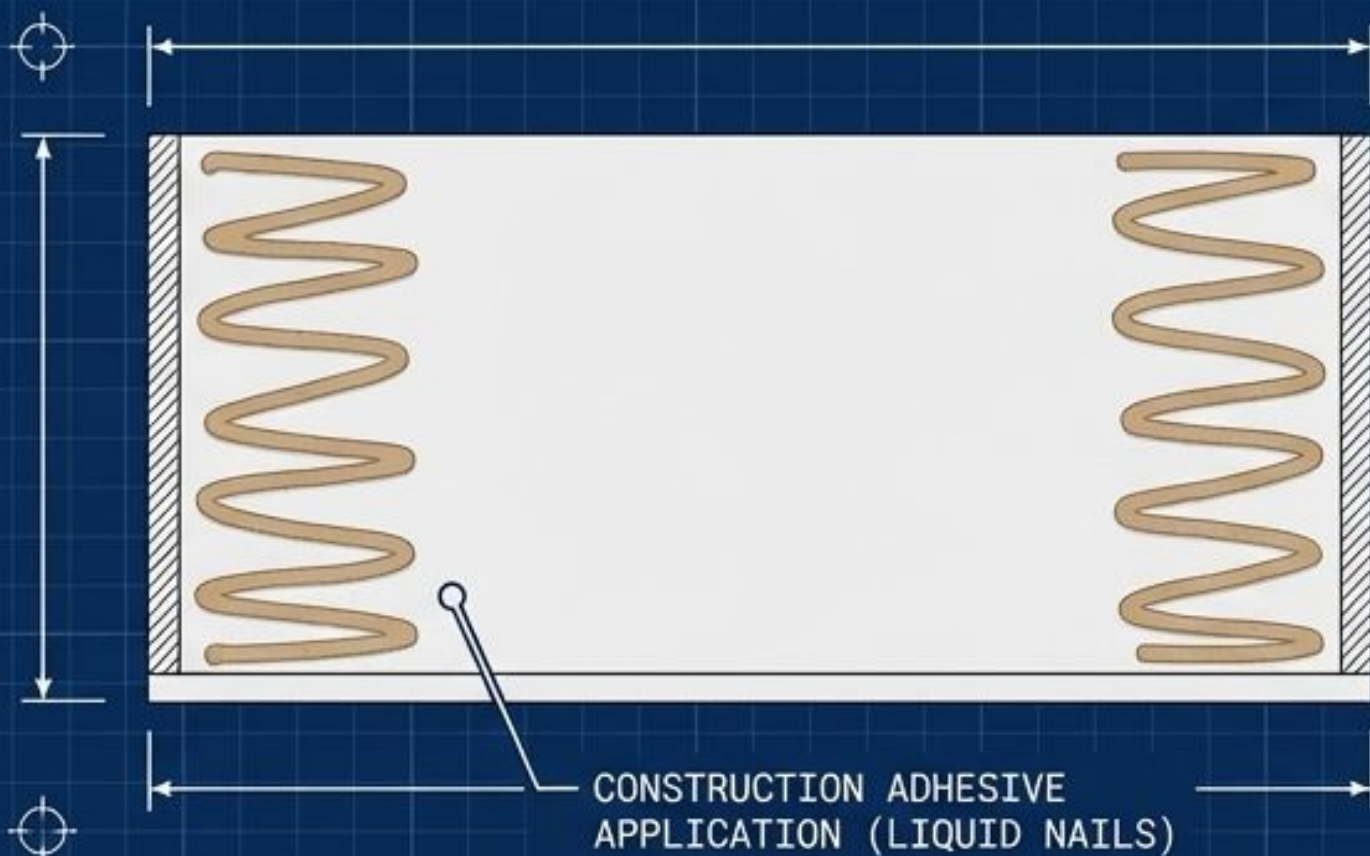


Modern Architects Workshop

MAW-SYSTEM-001

NTS

Phase 2: Interior Skinning



ACTION:

Measure and cut white melamine hardboard (Thrifty White) to fit the floor, all 4 walls, and the top/bottom of the shelf.

APPLICATION:

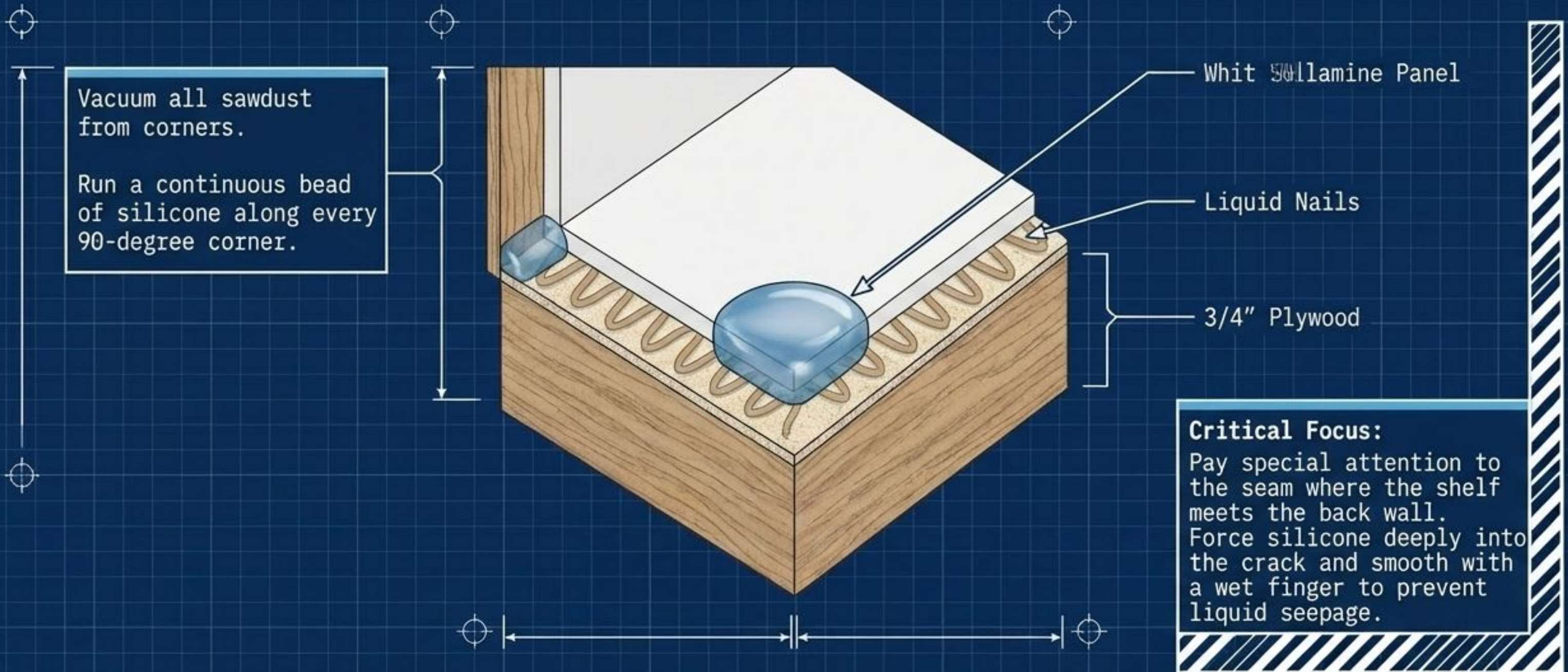
Squiggle Liquid Nails onto the back of the white panels and press firmly into the assembled plywood box.

THE 24-HOUR RULE.

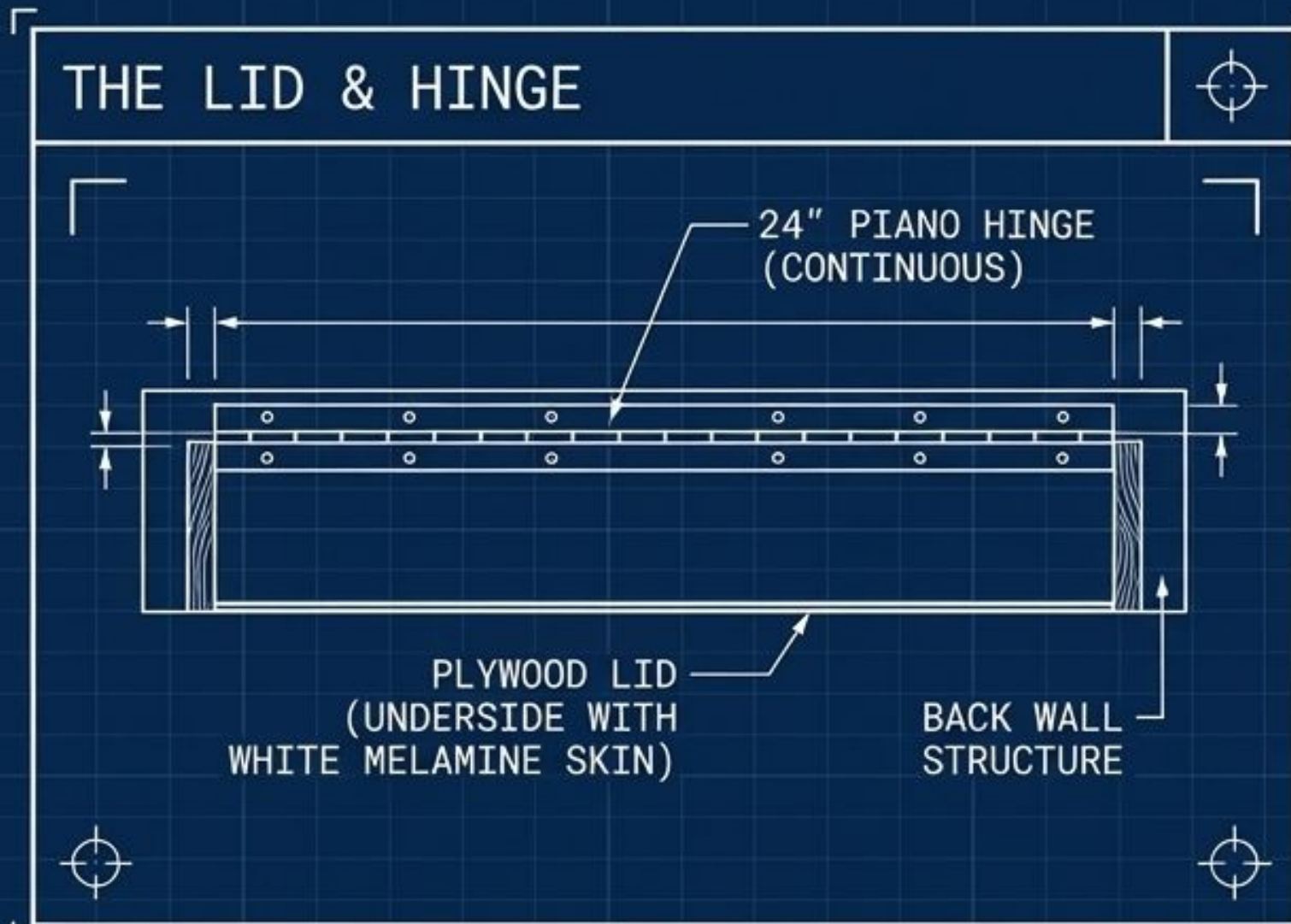
Let the adhesive cure for a full 24 hours. Rushing this step will cause the panels to pillow or pull away from the wood.



Phase 3: Engineering the Bio-Seal

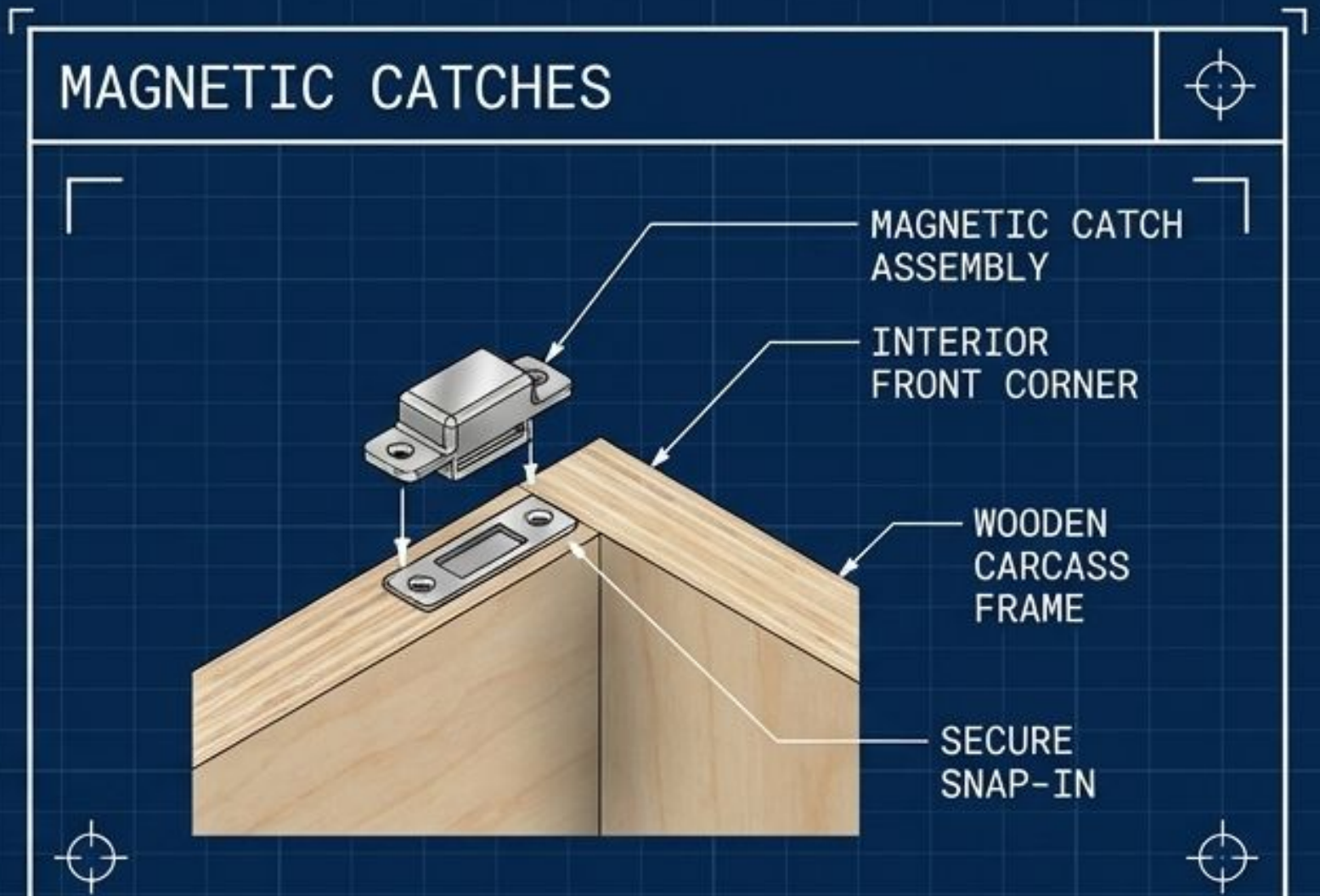


Phase 4: Final Hardware & Assembly



Skin the underside of the plywood lid with the final piece of white melamine.

Attach the completed lid to the back wall using a continuous 24" Piano Hinge for maximum durability.



Note: I used plants to hide my box. This also added weight to keep it down so I did not use magnets to close. It actually helped vent it a tiny amount at the top.